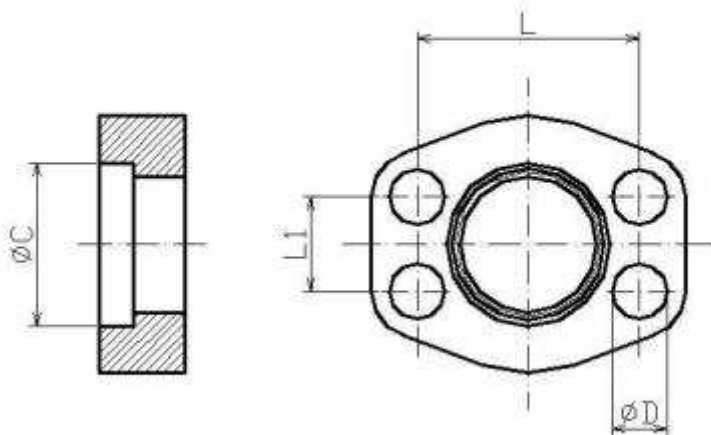


Hidraulika karima lefogazó (egész) SAE 3000/6000 PSI



Anyaga: szénacél vagy nemesacél

Serie	Size	Screw	L	L1	OR 1	PU Joint	ØC	ØD
3000 PSI	1/2"	TB8X30	38,1	17,48	18.64X3.53	JBR08	30,96	8,75
3000 PSI	3/4"	TB10X35	47,63	22,23	24.99X3.53	JBR12	38,89	10,75
3000 PSI	1"	TB10X35	52,37	26,19	32.92X3.53	JBR16	45,24	10,75
3000 PSI	1"1/4	TB10X40	58,72	38,1	37.70X3.53	JBR20	51,59	12
3000 PSI	1"1/2	TB12X45	69,85	35,71	47.22X3.53	JBR24	61,09	13,5
3000 PSI	2"	TB12X45	77,77	42,88	56.74X3.53	JBR32	72,24	13,5
3000 PSI	2"1/2	TB12X45	88,9	50,8			84,94	13,5
3000 PSI	3"	TB16X50	106,38	61,93			102,39	16,75
3000 PSI	3"1/2	TB16X50	120,65	69,85			115,1	17
3000 PSI	4"	TB16X50	130,18	77,77			127,79	17
3000 PSI	5"	TB16X50	152,4	92,08			153,19	17
6000 PSI	1/2"	TB8X30	40,49	18,24	18.64X3.53	JBR08	32,54	8,75
6000 PSI	3/4"	TB10X40	50,8	23,8	24.99X3.53	JBR12	42,06	11
6000 PSI	1"	TB12X45	57,15	27,76	32.92X3.53	JBR16	48,41	13
6000 PSI	1"1/4	TB14X45	66,68	31,75	37.70X3.53	JBR20	54,76	15
6000 PSI	1"1/2	TB16X50	79,38	36,5	47.22X3.53	JBR24	64,29	17
6000 PSI	2"	TB20X70	96,82	44,45	56.74X3.53	JBR32	80,16	21